



LED BAY LIGHT

Features

- Active cooling type or natural cooling type available
- Various beam angles (30/ 45/ 60°)
- Lightweight
- IP66 rated for protection against dust and moisture, ideal for outdoor environment

Applications

- Factories, Warehouses, Gymnasiums, Large discount Stores, Exhibition halls

Replacements

- HID (High Intensity Discharge) 150W ~ 1KW
- POSCO LED 60/ 80/ 110/ 130/ 230/ 430W



Save up to
57%

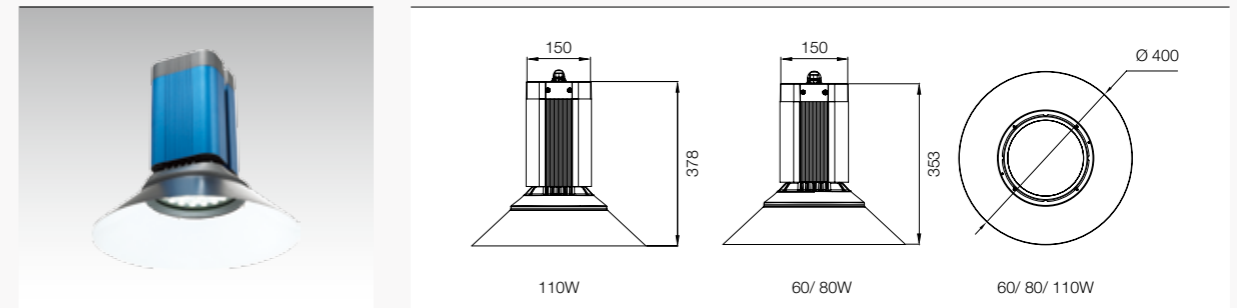


LED BAY LIGHT

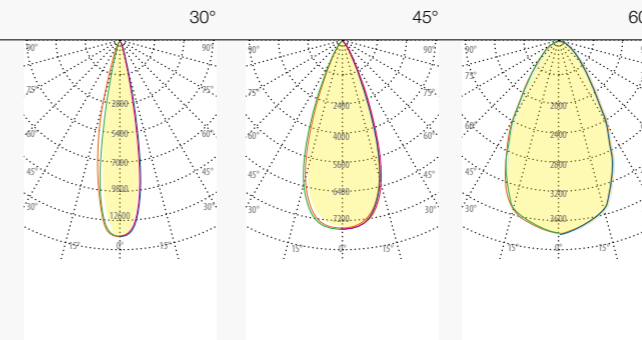
Trusted Professional in LED Lighting

Natural Cooling Type

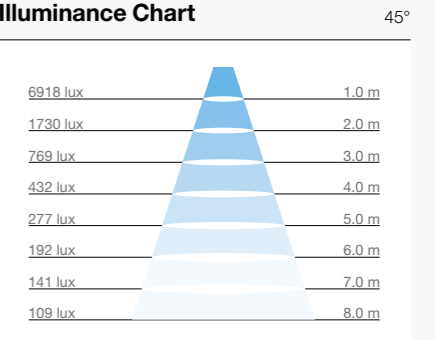
Dimensional Drawing (mm)



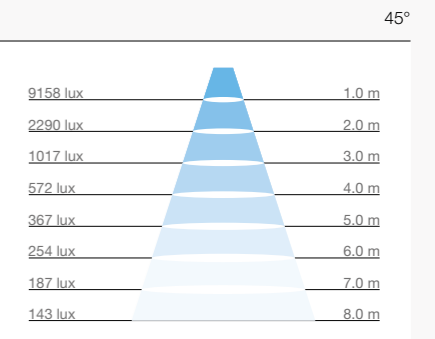
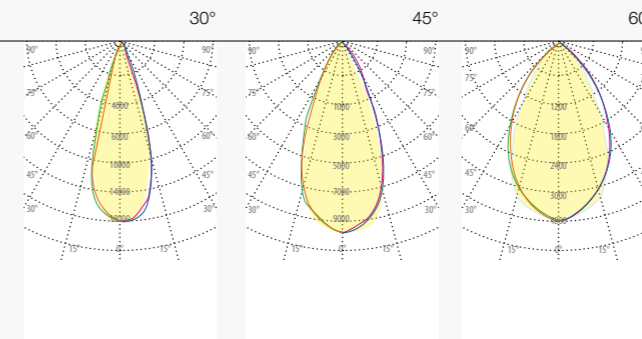
60W



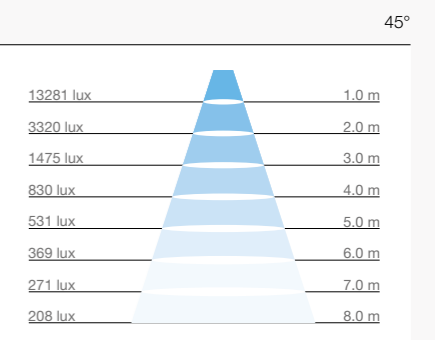
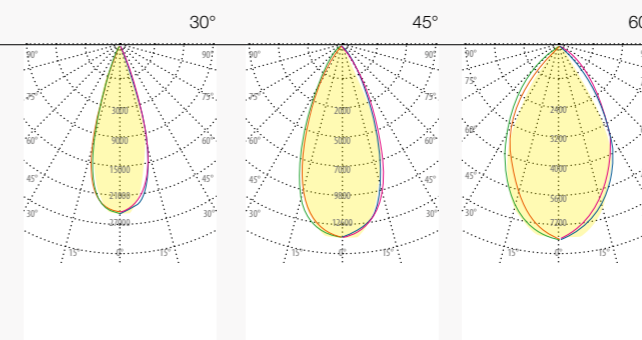
Illuminance Chart



80W



110W



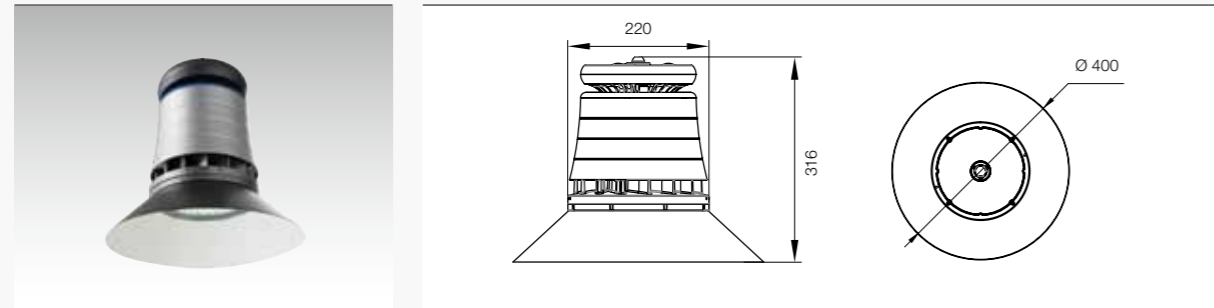
LED BAY LIGHT

Active Cooling Type

Trusted Professional in LED Lighting

130W

Dimensional Drawing (mm)



Light Distribution Curve

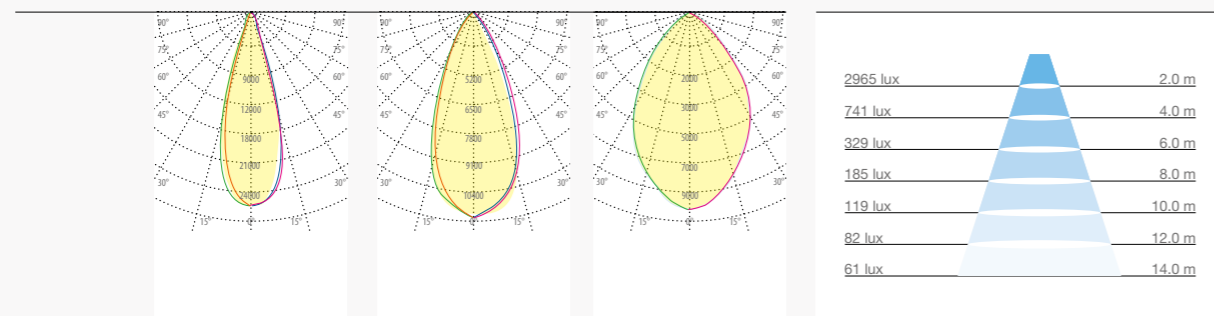
30°

45°

60°

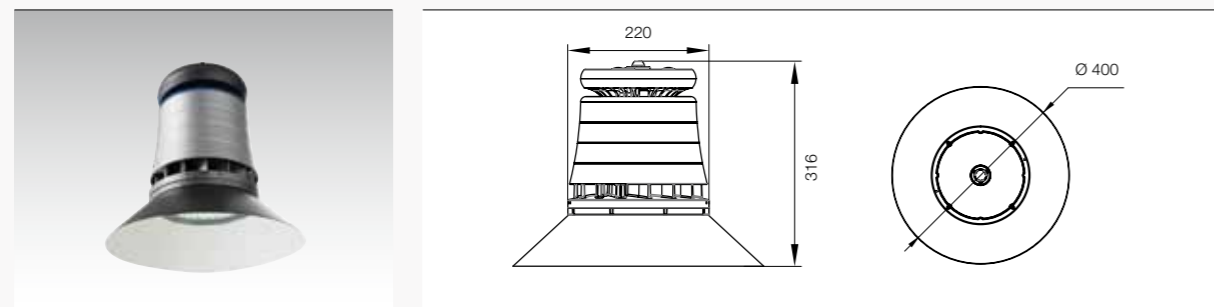
Illuminance Chart

45°



230W

Dimensional Drawing (mm)



Light Distribution Curve

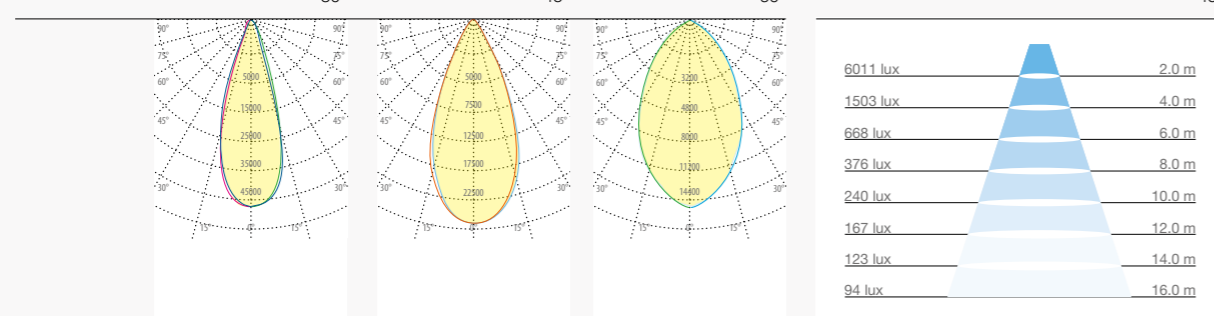
30°

45°

60°

Illuminance Chart

45°



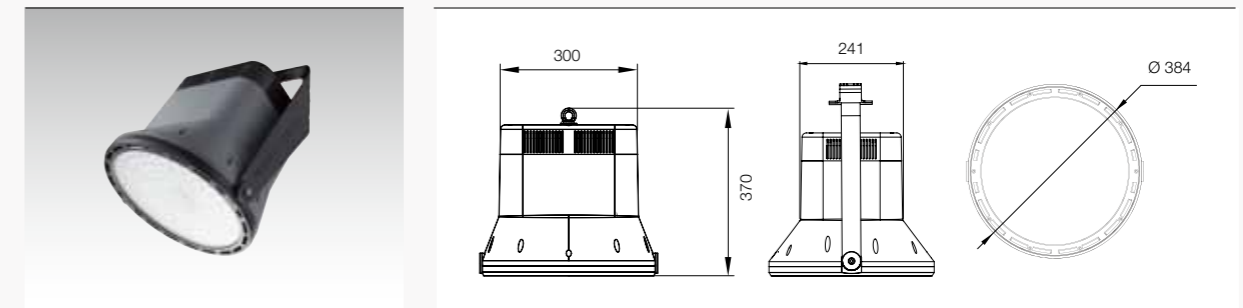
LED BAY LIGHT

Active Cooling Type

Trusted Professional in LED Lighting

430W

Dimensional Drawing (mm)



Light Distribution Curve

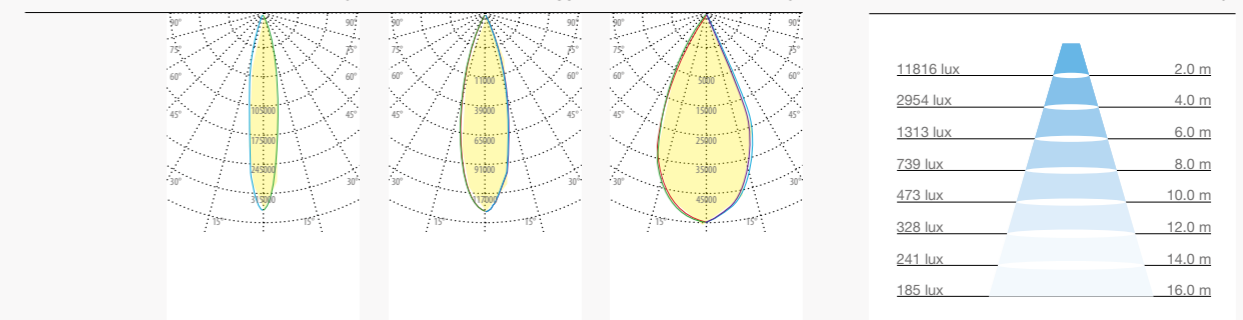
15°

30°

45°

Illuminance Chart

45°



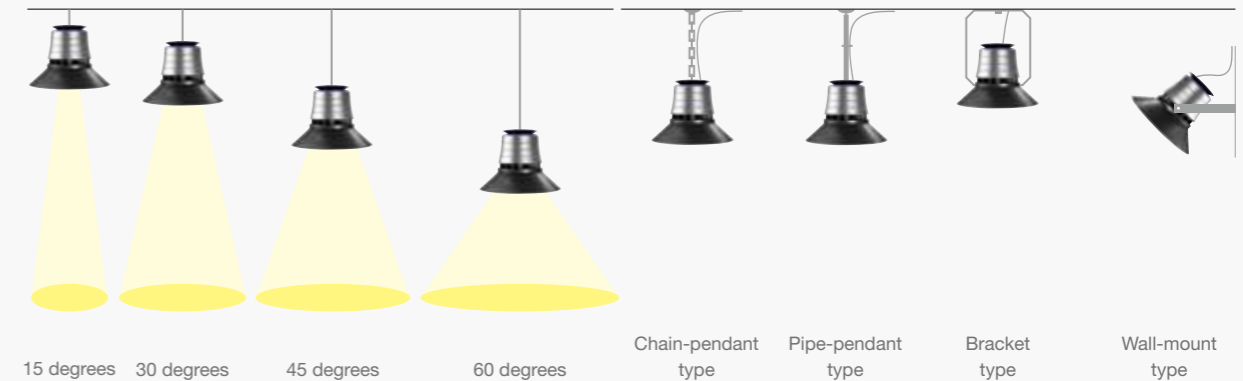
Specifications

| Product Code | Watts (W) | Vin (V AC) | CCT (K) | Lumens (lm) | Beam Angles (deg.) | Weight (kg) | Dimensions (D)X(H)mm |
|---------------|-----------|------------|---------|-------------|--------------------|-------------|----------------------|
| PHB00603C140B | 60 | 90 ~ 264V | 5,700 | 4,500 | 45 (30/ 60) | 6.5 | Ø 400 x 353 |
| PHB00803C140B | 80 | 90 ~ 264V | 5,700 | 6,000 | 45 (30/ 60) | 6.5 | Ø 400 x 353 |
| PHB00A13C140D | 110 | 90 ~ 264V | 5,700 | 8,250 | 45 (30/ 60) | 6.8 | Ø 400 x 378 |
| PHB00A33C140M | 130 | 90 ~ 264V | 5,700 | 10,000 | 45 (30/ 60) | 4.3 | Ø 400 x 311 |
| PHB00B33C140J | 230 | 90 ~ 264V | 5,700 | 17,500 | 45 (30/ 60) | 4.3 | Ø 400 x 311 |
| PHBBD33C1400 | 430 | 90 ~ 264V | 5,300 | 30,100 | 45 (15/ 30) | 13 | Ø 384 x 340 |

Types

By Angle

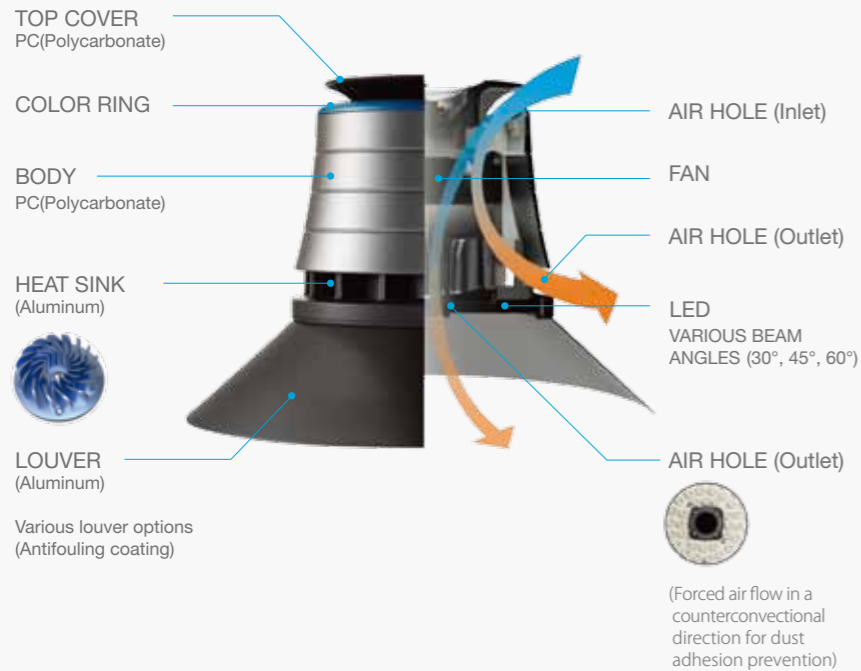
By Installation Type



Major Advantages



Functions



Features and Benefits of POSCO LED's Bay Lights

- The right solutions for extreme and hazardous industrial applications (high temperature, high humidity, dust, and vibration) like in steelworks.
- High efficiency & high reliability → Extended replacement cycle → Reduced downtime → Improved productivity & cost-saving

Smart cooling

- Automatic temperature sensing
- Fan speed control
- Automatic cooling
- Improved lumen maintenance

Smart cleaning

- Periodic reverse rotation of fan
- Removal of adhering dust
- Low failure rate
- Reduced maintenance costs

TREES 6,255 ↑

CO₂ 125,093 kg ↓

ENERGY 297,840 kWh ↓

COST 18,953 USD ↓

The annual effects of replacing 200 conventional lamps with POSCO LED products

Energy Saving **42%**

NOTE : Values based upon 365days, 24hrs/day, electricity cost = 70KRW/kWh, exchange rate : 1USD =1,100KRW, annual CO₂ absorption/ tree = 20kg

Solutions

By Installation Environment



Location Typical factories with low ceilings (textile factories/ warehouses)
POSCO LED solution Natural cooling type (60, 80W, or 110W)



Location Extremely hazardous location factories with high ceilings (steelworks or chemical plants)
POSCO LED solution Active cooling type (230W or 500W)

POSCO Steel Works

POSCO steel works annually saves 18,953USD and 297,840kWh of electricity by replacing 200 conventional lamps with energy-efficient and eco-friendly POSCO LED lights. Furthermore, it reduces 125,093kg of CO₂ emission per year, which is equivalent to planting 6,255trees a year.



| | Existing Lights | POSCO LED Lights | Replacement |
|---|-----------------|------------------|---------------------------------------|
| kWh/ year | 700,800 | 402,960 | • HID 400W → POSCO LED Bay Light 230W |
| Energy Saving | | 42 % | |
| CO ₂ reduction (kg) per year | | 125,093 | |
| Energy cost saving (₩) per year | | 20,848,800 | |